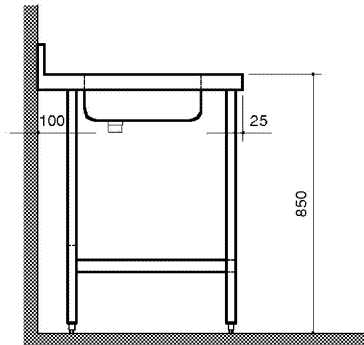
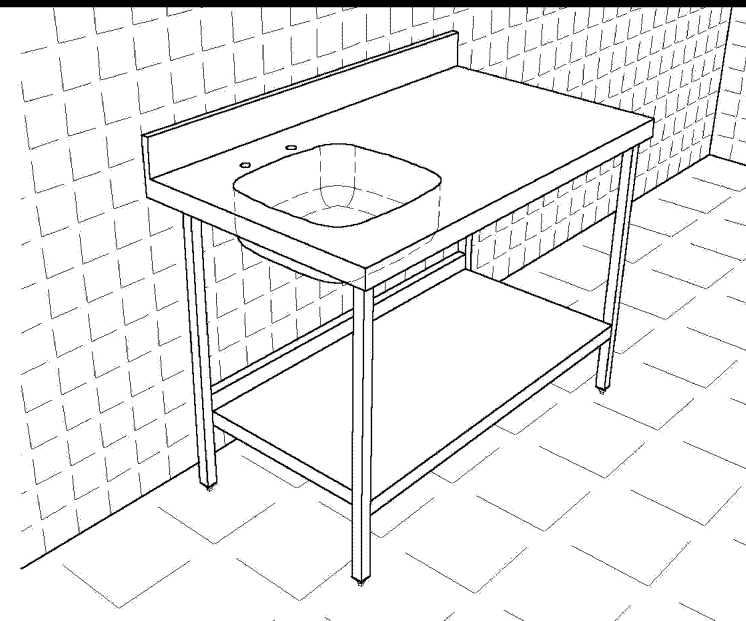


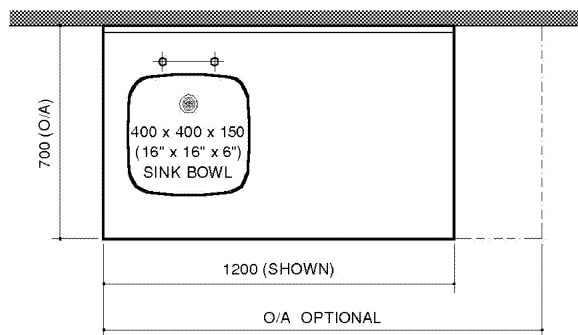
FRONT ELEVATION



LH END ELEVATION



PERSPECTIVE



PLAN

DIMENSIONS

Overall Width:-Optional,
(600mm, 900, 1200, 1500, 1800 Standard Widths)
Overall Depth:- 700mm
Working Height:- 850mm
Overall Height:- 950mm

SERVICES

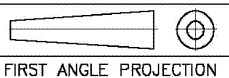
13mm Mains and Hot water supplies
38mm waste

SPECIFICATIONS

Top from 16 swg (1.5mm) stainless steel.
Shelves & panels from 18 swg (1.2mm) stainless steel.
Legs from 30mm square section stainless steel.
Polished and grained finish, 180/220 grit.
Adjustable bullet feet (material, diecast zinc).
100mm upstand to rear of top.
25mm safety edge to free edges of top.
100mm service void below top upstands.
Centre legs fitted to tables above 2000mm wide.

Additional Options and Features available

Fittings and accessories- Taps & waste fitting must be ordered separately. Bowl covers made to order, (solid or perforated).
Top Upstands- Upstands available to rear and ends.
Handing- Bowl position to right hand or left hand end.
Bowl Size- Numerous alternative bowl sizes available.
Local Antidrip- available around bowl.
Materials- The top, shelves, and legs are available in both 304 and 430 stainless steels. Material mixing is optional.
Feet- Flanged feet (for floor fixing of tables).
Storage- A single tier or a two tier overshell may be fixed to the rear of the table.
Fitted drawers.
Fascia- Fascia to bowl.
Undercounter equipment-
Openings may be made in the framework to accommodate undercounter equipment, e.g. fridge etc.



FIRST ANGLE PROJECTION



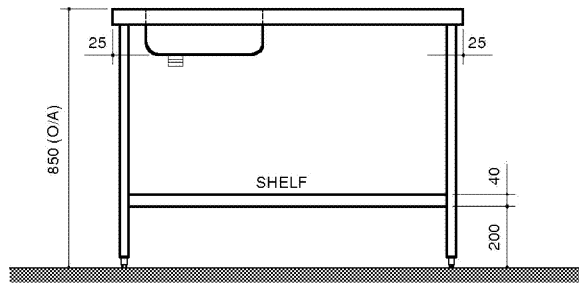
Catering Equipment Association

Member of
EFCEM
The European Federation
of Catering Equipment
Manufacturers

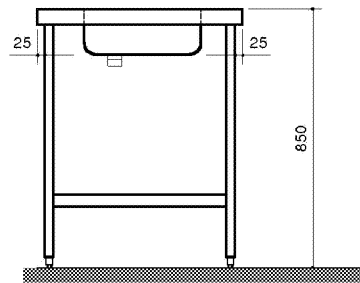
ITEM

PREPARATION TABLE WITH
SINK BOWL, WALL TYPE
UPSTAND TO REAR

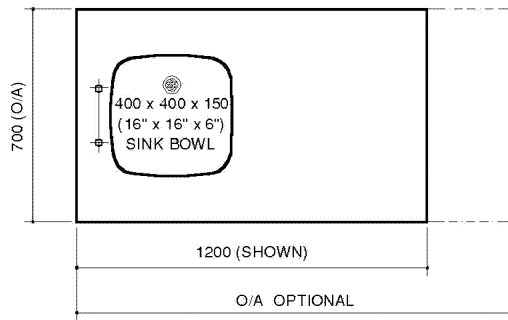
SCALE 1:25 DATE 12-04-'02 DRG. No. 301



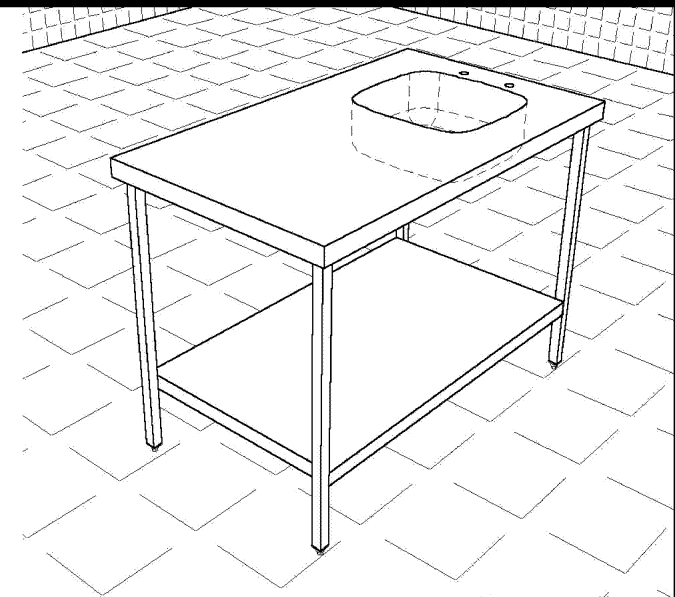
FRONT ELEVATION



END ELEVATION



PLAN



PERSPECTIVE

DIMENSIONS

Overall Width:-Optional,
(600mm, 900, 1200, 1500, 1800 Standard Widths)
Overall Depth:- 700mm
Overall Height:- 850mm

SERVICES

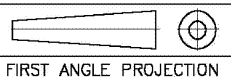
13mm Mains and Hot water supplies
38mm waste

SPECIFICATIONS

Top from 16 swg (1.5mm) stainless steel.
Shelves & panels from 18 swg (1.2mm) stainless steel.
Legs from 30mm square section stainless steel.
Polished and grained finish, 180/220 grit.
Adjustable bullet feet (material, diecast zinc).
100mm upstand to rear of top.
25mm safety edge to free edges of top.
100mm service void below top upstands.
Centre legs fitted to tables above 2000mm wide.

Additional Options and Features available

Fittings and accessories- Taps & waste fitting must be ordered separately. Bowl covers made to order, (solid or perforated).
Bowl Size- Numerous alternative bowl sizes available.
Local Antidrip- Available around bowl.
Materials- The top, shelves, and legs are available in both 304 and 430 stainless steels. Material mixing is optional.
Feet- Flanged feet (for floor fixing of tables).
Storage- A single tier or a two tier overshelf may be fixed over the table.
Fitted drawers.
Fascia- Fascia to bowl.
Undercounter equipment-
Openings may be made in the framework to accommodate undercounter equipment, e.g. fridge etc.



FIRST ANGLE PROJECTION



Member of
EFCEM
The European Federation
of Catering Equipment
Manufacturers

ITEM
PREPARATION TABLE WITH
SINK BOWL, ISLAND TYPE

SCALE 1:25 **DATE** 12-04-'02 **DRG. No.** 302